

TEST REPORT

Mechanical & Hardgoods Lab

Report No. : THO0191/2013

Page : 1 of 5

Date : NOV. 08, 2013

SWICLE SàRL

chemin des Hutins 24, 1295 Mies, Switzerland

The following merchandise was submitted and identified by the applicant as:

Product Description: bike frame
Style/Item No.: 1
Buyer/Order No.: Marco Gamberoni
Manufacturer/Vendor: Rolling Wheel & Co, Ltd.
Country of Origin: Taiwan
Sample Quantity: 1 pc of frame

We have tested the submitted sample(s) as requested and the following results were obtained:

Test Requested: For compliance with Clause 4.8.2.2, Clause 4.8.3.2 and Clause 4.8.4.2 of EN 14764:2005 City and trekking bicycles – Safety requirements and test methods.

Test Method: According to Clause 4.8.2.3, Clause 4.8.3.3 and Clause 4.8.4.3 of EN 14764:2005 City and trekking bicycles – Safety requirements and test methods.

Sequence of Testing: Clause 4.8.3.3, Clause 4.8.4.3 and Clause 4.8.2.3.

Test Result: --See following sheet(s)--

Date of Receipt: OCT. 22, 2013

Testing Period: OCT. 25, 2013 ~ OCT. 31, 2013

Conclusion: The submitted sample(s) **complies with** the Clause 4.8.2.2, Clause 4.8.3.2 and Clause 4.8.4.2 of EN 14764:2005 City and trekking bicycles – Safety requirements and test methods.

--- See Next Page ---

Signed for and on behalf of
SGS Taiwan Ltd.



Kaini Chen
Team Leader

Testing place: No. 9, 14th Rd., Taichung Ind. Park, Taichung City 40755, Taiwan

TEST REPORT

Mechanical & Hardgoods Lab

Report No. : THO0191/2013

Page : 2 of 5

Test Result:

Clauses:

4.8.2 Frame and front-fork assembly – Impact test (falling mass)

4.8.2.2 Requirement

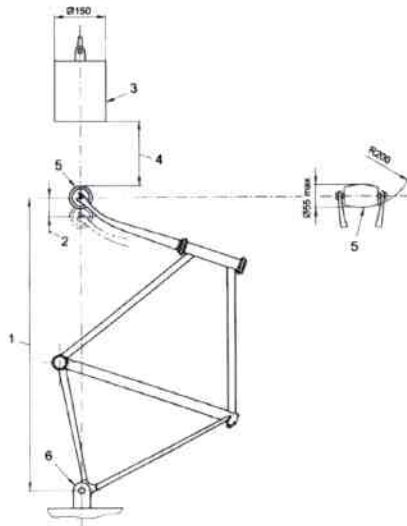
When tested by the method described in 4.8.2.3, there shall be no visible cracks or fractures in the assembly and there shall be no separation of any parts of any suspension system.

The permanent set measured between the axes of the wheel axles (the wheel- base – see 3.24 and Figure 28) shall not exceed the following values:

- 30 mm where a fork is fitted,
- 10 mm where a solid-steel bar is fitted in place of a fork.

4.8.2.3 Test Method

Figure:



Result

Pass

Actual Finding:

Test clause	Requirement	Test Result
Clause 4.8.2.3	< 10 mm	1.4 mm
Remark	There was no visible crack on the sample after testing.	

- Note:**
- Information of sample: Mass (3,297 g).
 - The solid test fork provided by SGS Taiwan substituted for the fork and the solid test fork is 458 mm in length.

--- See Next Page ---

TEST REPORT

Mechanical & Hardgoods Lab

Report No. : THO0191/2013

Page : 3 of 5

Test Result:

Clauses:

4.8.3 Frame – Fatigue test with pedaling forces

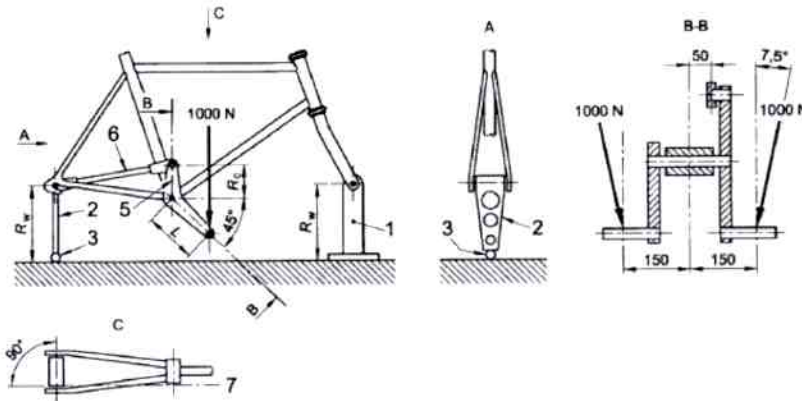
4.8.3.2 Requirement

When tested according to 4.8.3.3 there shall be no visible cracks or fractures in any part of the frame, and there shall be no separation of any parts of the suspension system.

For carbon-fibre frames, the peak deflections during the test at the points where the test forces are applied shall not increase by more than 20% of the initial values.

4.8.3.3 Test method

Figure:



Actual Finding:

Test clause	Test conditions			Test Result (cycle)
	Force	Frequency	Cycles	
Clause 4.8.3.3	1,000 N	3 Hz	100,000	100,000
Remark	There was no visible crack on the sample after testing.			

- Note:**
1. Information of sample: Mass (3,297 g).
 2. The solid test fork provided by SGS Taiwan substituted for the fork and the solid test fork is 458 mm in length.

--- See Next Page ---

Result

Pass

TEST REPORT

Mechanical & Hardgoods Lab

Report No. : THO0191/2013

Page : 4 of 5

Test Result:

Clauses:

4.8.4 Frame – Fatigue test with vertical forces

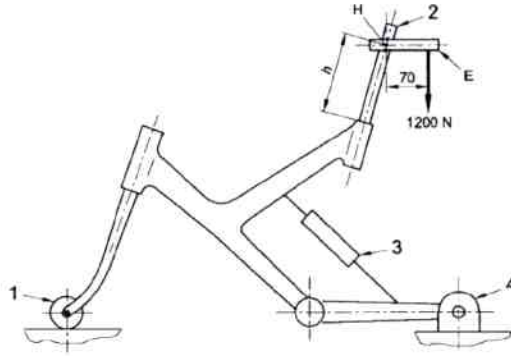
4.8.4.2 Requirement

When tested by the method described in 4.8.4.3, there shall be no visible cracks or fractures in the frame and there shall be no separation of any parts of the suspension system.

For carbon-fibre frames, the peak deflection shall not increase by more than 20% of the initial value.

4.8.4.3 Test method

Figure:



Result

Pass

Actual Finding:

Test clause	Test conditions			Test Result (cycles)
	Force	Frequency	Cycles	
Clause 4.8.4.3	1,000 N	3 Hz	50,000	50,000
Remark	There was no visible crack on the sample after testing.			

- Note:**
1. Information of sample: Mass (3,297 g).
 2. The solid test fork provided by SGS Taiwan substituted for the fork and the solid test fork is 458 mm in length.

--- See Next Page ---

TEST REPORT

Mechanical & Hardgoods Lab

Report No. : THO0191/2013

Page : 5 of 5

– Picture(s) –



Photo "A" Appearance of sample

--- End of Report ---